



## RQW1

Rørkobling - Rettvinklet 90°

5020.051.210

Rørkobling(vinkel/90°) RQW1-M M10x1,0 Svart

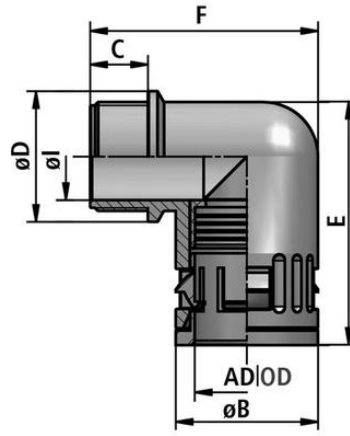
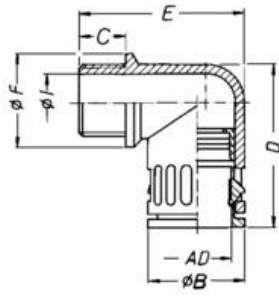
- Silicon/Cadium/Halogen fri
- Syre/Løsemiddel resistent
- Olje/Benzin resistent
- IP 66
- Quick connection



### PRODUKTBESKRIVELSE

### TEKNISKE DATA

<b>Farge</b>	Svart
<b>Forpakkingsstørrelse</b>	50 pc
<b>Gjenger</b>	M10x1,0
<b>Godkjenninger</b>	CSA 22.2, cRUus, Lloyd´s, UL, VDE
<b>IP-klasse</b>	IP66
<b>Materiale</b>	Polyamid
<b>Rørdimensjon AD</b>	10
<b>Temperaturområde fra</b>	-40 °C
<b>Temperaturområde til</b>	120 °C
<b>Vekt kg/100 ±10%</b>	0,4



	AD	øI	øB	C	D	E	øF
M10x10	10,0	7,0	17,0	12	33,5	34,0	16,0
M16x1,5	13,0	12,0	20,0	12	36,0	36,5	20,0
M20x1,5	15,8	15,5	23,0	13	42,0	41,5	24,0
M25x1,5	21,2	18,0	29,5	13	50,0	49,0	29,5
M32x1,5	28,5	24,0	37,0	15	57,0	59,0	37,0
M40x1,5	34,5	32,0	44,0	15	67,5	67,0	45,0
M50x1,5	42,5	39,0	52,0	16	83,0	75,5	55,0
M63x1,5	54,5	53,0	64,0	16	88,0	86,5	68,0